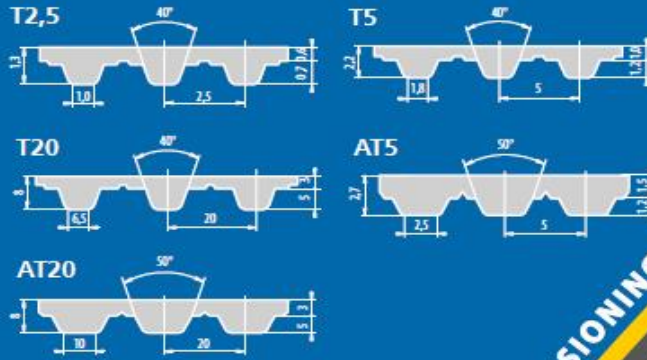
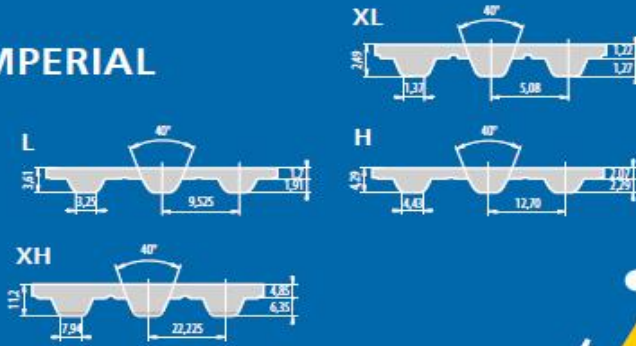


TIMING BELT PROFILES AND COVERS

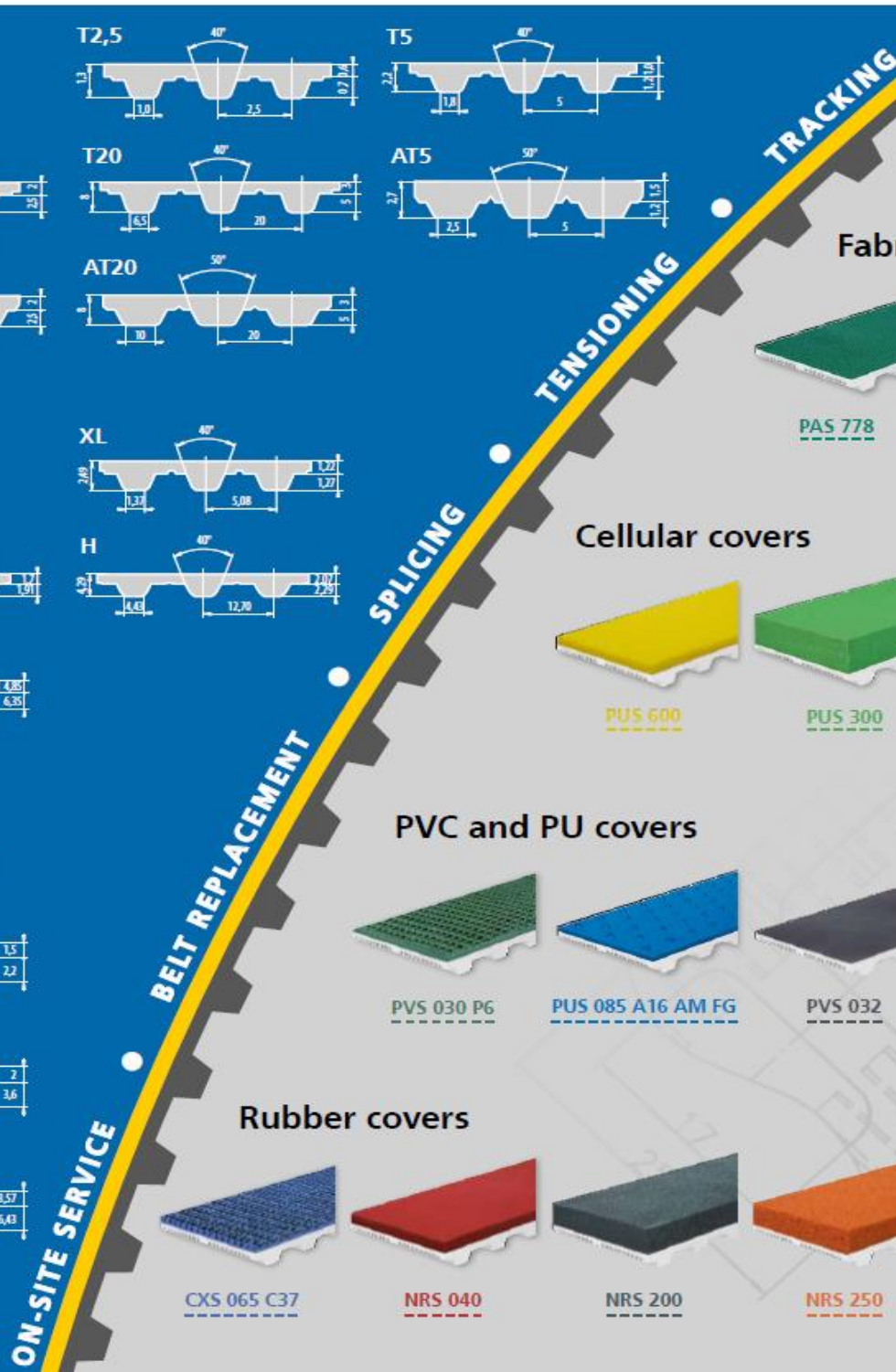
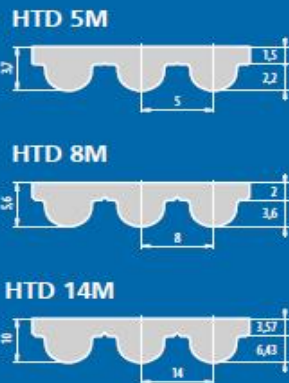
METRIC



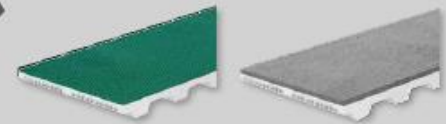
IMPERIAL



HTD PROFILES



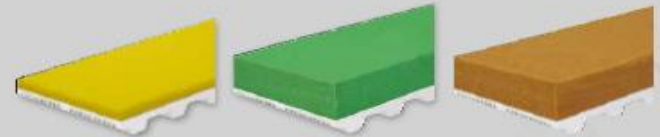
Fabric covers



PAS 778

NPF 160

Cellular covers



PUS 600

PUS 300

PUS 400

PVC and PU covers



PVS 030 P6

PUS 085 A16 AM FG

PVS 032

PVS 035

Rubber covers



CXS 065 C37

NRS 040

NRS 200

NRS 250

NRS 040

Covering and machining

